



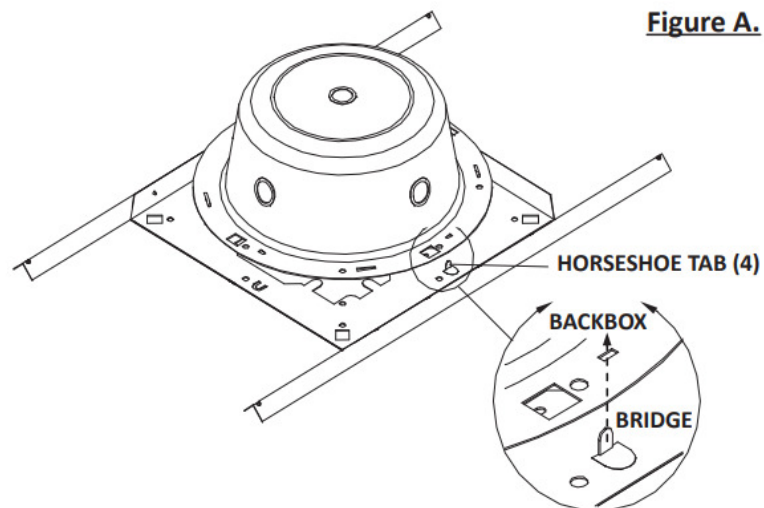
## STH8 Stackable Top Hat for G86TG/G86TG

Thank you for your choice of Speco Technologies' **STH8** speaker backcan. This unit is designed and manufactured to provide an economical solution for protecting and improving the sound of your G86TG or G86TCG speakers. The steel construction and USA manufacturing help ensure a long product lifespan. This unit should be used with the TS8 tile support.



### INSTALLATION INSTRUCTIONS:

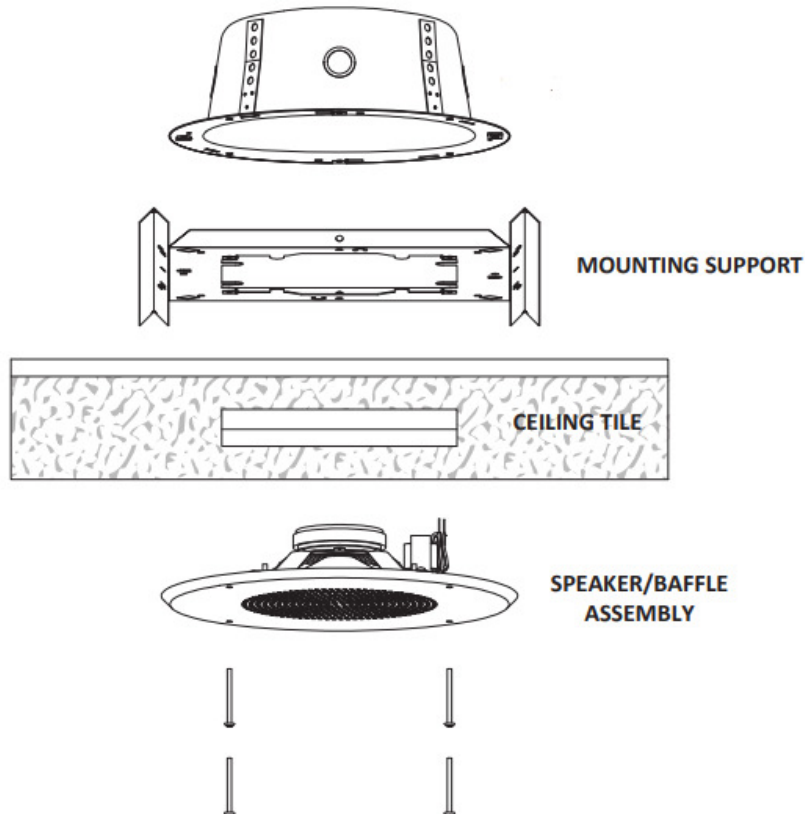
- 1) Mark and cut ceiling tile as shown in the TS8 support instructions.
- 2) Bend up (4) horseshoe tabs on mounting support as shown in Figure A.
- 3) Choose entry point to the STH8 and remove either 1/2" or 3/4" knock-out as required.
- 4) Orient the STH over tile bridge, lining up slots with the (4) horseshoe tabs.
- 5) With pliers, twist tabs 1/2 turn, securing the STH8 to the mounting support.
- 6) Tie-Off using straps on backbox as required.
- 7) Be aware of local code or AHJ requirements when installing.



## TERMINATION

Feed supply cable through cable clamp or whip and terminate as shown in specific wiring instructions. Refer to loudspeaker assembly magnet label for termination options and wiring diagram information.

**\*Be sure to insulate all unused taps from each other, the enclosure, and electrical ground.**



## SPECIFICATIONS:

- Internal Displacement – 262 Cubic Inches (CI)
- Attachment Points – 4X Welded Tie-Off Straps
- Attachment to Tile Bridge – 4X Welded Tie-Off Straps
- Electrical Access – Top: 1X Side: 4X - 90° Apart

Speco Technologies is constantly developing and improving products.

We reserve the right to modify product design and specifications without notice and without incurring any obligation.

**Speco Technologies** . 200 New Highway . Amityville . NY . 11701 . [www.specotech.com](http://www.specotech.com)

Rev. 04/23/20