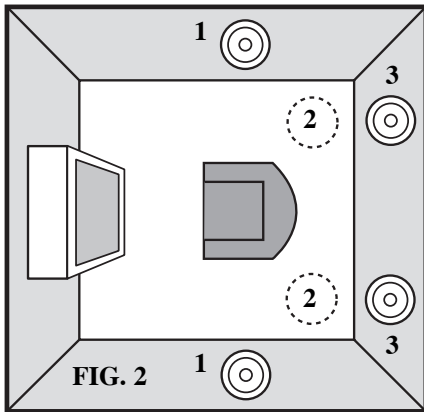
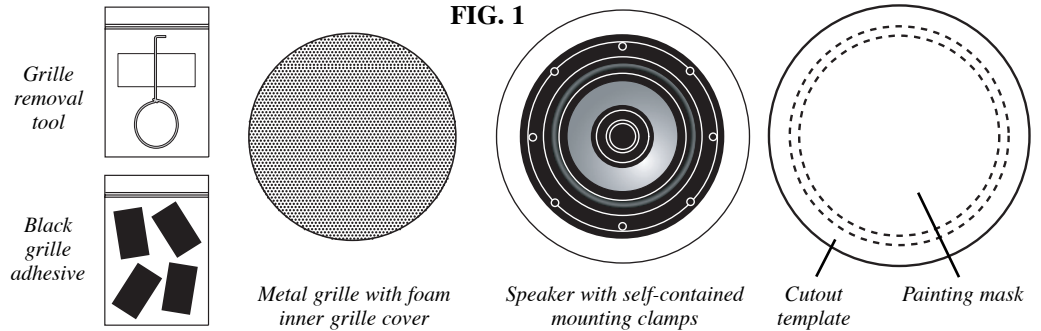


Congratulations on choosing Speco Architectural Loudspeakers. Like all Speco products, great care has been taken in their design. Their combination of advanced engineering and state-of-the-art materials will provide you with years of listening pleasure, while blending smoothly into your home's decor. Before you get started, it is a good idea to identify all the parts and hardware (See Fig. 1).



Speco SPCBC5 ceiling speakers can be used as rear surround channels by mounting them (1) on each side of, (2) just behind, or (3) in back of the viewing position.



Where To Place Your In-Ceiling Speakers

Placement can make all the difference in how your speakers sound, and how easy they will be to install. Carefully consider where your speakers should be positioned for locating the SPCBC5 (See Fig. 2). Avoid mounting speakers in stud cavities containing electrical wiring, heating ducts, water pipes, etc. Make sure the ceiling materials are sturdy enough to support the weight of the speakers.

Speaker Installation In Existing Construction (See Fig. 3)

Once you have selected the location for your speakers, you are ready to install them. You will need the following:

- Stud Finder
- Drill & Drill Bits
- Wire Cutter/Strippers
- Speaker Wire
- Pencil
- Phillips Screwdriver
- Utility Knife or Drywall Saw
- Masking Tape

Speco recommends the use of 16-gauge wire minimum. For wire options, consult your retailer or custom audio contractor.

1. Speco Speakers are designed to be installed in the ceiling or wall area between studs. Using a stud finder, make sure you are between two studs. Tape the supplied template to the wall and lightly trace around the inside with a pencil.

2. Cut the hole using your drywall saw. You may want to start with a small hole in the center of the outline. This will allow you to check for any obstructions that may exist behind the desired location. CAUTION: Be certain electrical wiring, water pipes or heating ducts do not interfere in the planned installation areas prior to drilling or cutting the wall.

3. Run speaker wire from your amplifier or speaker switching device to the speaker location.

4. Carefully remove the grille and inner grille backing. (Note: The open cell foam inner grille backing is designed to hide speaker components from view and may be removed if desired.) If you like the standard white finish of your Speco speakers, skip to step 5, but if you want your speakers to blend in with a colored wall or ceiling, now is the time to paint your speaker's outer frame and perforated grille. (Remove the foam inner grille backing and put it aside in a clean and dust free area for later reinstallation if desired.) The speaker's outer surface will accept ordinary latex wall paint or aerosol spray paint. Because the speaker baffle surface behind the grille should remain unpainted, you will need to cover this area with the supplied cardboard paint mask. Cover the speaker's interior black surface, woofer and tweeter. Paint the outer speaker frame and grille separately. (Grille painting hint: Use a paint roller that is nearly out of paint to first paint the inside of the grille, then the outside. This will avoid paint filling the grille perforations.)

5. Attach the wire to the input terminals on the rear of the speaker (See Fig. 4: the SPCBC5 has only one set of inputs. Remember to maintain proper polarity with the amplifier by attaching the positive (+) lead to the red terminal and the negative (-) lead to the black terminal.

6. See Figs 4 and 5 on reverse. With the speaker wire attached to the speaker, slide the speaker up inside the cut-out hole. Center the speaker in the cut-out hole and turn the four locking screws clockwise until the speaker is drawn up snugly to the wall board from behind, clamping the speaker in place. Try to tighten each screw equally. Replace the speaker grille by gently pressing it into place. If necessary, use black grille adhesive to secure the grille. (Continued on reverse)

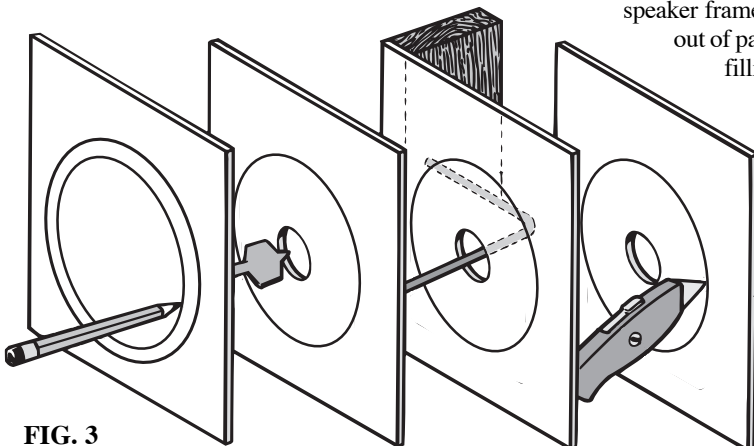


FIG. 3

(Continued from front)

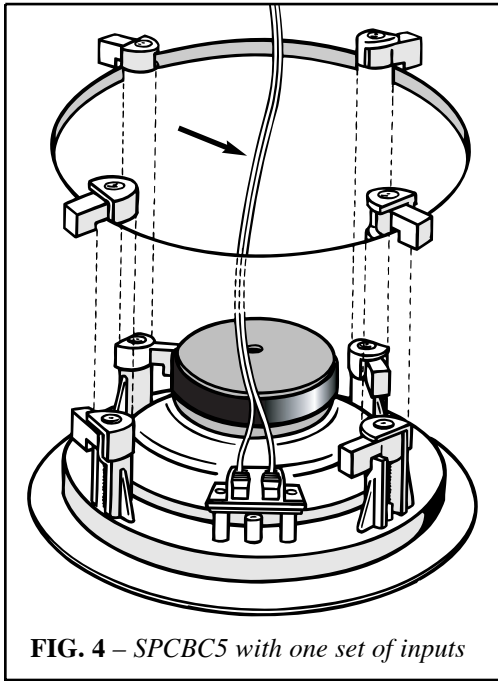


FIG. 4 – SPCBC5 with one set of inputs

New Construction

1. Determine speaker locations and mark them on your plans for future reference.
2. If possible, run speaker wires after HVAC and electrical wiring is in place.
3. Secure speaker wires in place along the run with insulated staples only and be careful not to pierce the wire's insulation. Allow a bit of slack for expansion of building materials.
4. Needless to say, the actual speakers should not be installed until the wall board is in place. In the meantime, leave several feet of wire coiled up and secured at the back side of the mounting hole.
5. To complete the installation follow steps 2 through 5 above.

Speco Indoor Speakers Lifetime Limited Warranty

This warranty is valid only on products purchased in the United States of America. This warranty applies only to the original user/purchaser.

Subject to conditions and exclusions found below, this indoor audio speaker is warranted against manufacturing defects in material and workmanship for the lifetime of the product, including parts and labor.

Speco Technologies will repair or replace (at our discretion) any parts found to be defective for the warranty period specified. We will provide a replacement for any defective part.

Operational Check

After making all connections, it's a good idea to make sure every thing is working properly. Turn on your surround or stereo system making sure the volume control is turned down and that the balance control is in the center position. Activate a musical or movie source such as FM, a CD or DVD player. Gently turn up the volume, you should hear sound coming from your new Speco speakers. If no sound is heard from any or all speakers, switch off the system immediately and check for open or loose connections, wrong polarity or shorts, or proper source selection.

SPCBC5 Specifications

Power Handling:	5 - 50 watts
Efficiency:	90dB
Frequency Response:	70 Hz-18,000 Hz
Driver Complement:	5 1/4" (133mm) mineral-filled compression-molded polymer dual cone woofer w/rubber surround
Impedance:	8 ohms nominal
Overall Dimensions:	8" (203 mm) diameter round x 2 3/8" (60 mm) D Required
Ceiling Cutout:	6 1/2" (165 mm) diameter

Speco Indoor Speakers 15-Year Limited Warranty

This warranty is valid only on products purchased in the United States of America. This warranty applies only to the original user/purchaser.

Subject to conditions and exclusions found below, this indoor audio speaker is warranted against manufacturing defects in material and workmanship for fifteen (15) years including parts and labor. Speco Technologies will repair or replace (at our discretion) any parts found to be defective for the warranty period specified. We will provide a replacement for any defective part.

Conditions

1. You must obtain a Return Authorization (RA) number for any merchandise being returned to Speco Technologies, whether for return/exchange or repair, whether in or out of warranty.
2. This warranty will be honored only upon the presentation of the original dated bill of sale or sales slip.
3. Transportation of the product to Speco Technologies for service is the responsibility of the user. Repaired or replaced product will be returned prepaid during warranty period.

Exclusions

1. This warranty shall not cover improper adjustment of customer operated controls or products which have been altered or abused.
2. This warranty shall not apply to the appearance of the product or accessory items including, but not limited to cabinets, cabinet parts, knobs, etc.
3. This warranty does not apply to uncrating, setup, installation, or removal and/or reinstallation of products prior to or after repair.
4. This warranty shall not apply to repairs or replacements necessitated by any cause beyond the result of manufacture including, but not limited to, any malfunction, defects or failure caused by or resulting from unauthorized service or inferior parts, neglect, accident, fire, flood, other acts of nature or incorrect line voltage.

The foregoing is in lieu of all other expressed warranties and we do not authorize any party to assume for us any obligation or liability. In no event shall we be liable for incidental or consequential damage arising from the use of this product, or for any delay in the use of this product due to causes beyond our control.

Some states do not allow limitations of how long an implied warranty lasts and/or do not allow the exclusion or limitation of consequential damages. The above limitations on implied warranty and consequential damages may not apply to you.

This warranty gives you specific legal rights. You may have other rights which vary from state to state.

NOTE: For warranty purposes and your protection in the event of theft or loss of this product, please fill in the information below and keep with your sales receipt.

Date of Purchase: _____

Where Purchased: _____

Purchase Price: _____

speco technologies[®]

200 New Highway, Amityville, NY 11701
For information regarding service or return,
Call us TOLL FREE: 1-800-645-5516
In Metro New York 631-957-8700
<http://www.specotech.com>