



Quick Start Guide

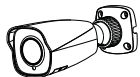
02VB1V



1 Warning and Caution

- If the product does not work properly, please contact your dealer or the nearest service center. Never attempt to disassemble the camera yourself. Any unauthorized changes or modifications could void the warranty.
- Do not allow water or liquid intrusion into the camera.
- All installation and operation here should conform to local electrical safety codes. Make sure the device is firmly installed on the wall or ceiling.
- Do not use camera beyond specified voltage range.
- Do not drop the camera or subject it to physical shock.
- Avoid touching the camera lens.
- If cleaning is necessary, please use cleaning cloth to wipe it gently.
- Do not aim the camera at the sun or extremely bright light sources.
- Do not place the camera in extremely hot or cold environments and dusty and damp locations. Do not expose it to highly electromagnetic radiation.
- Do not block any ventilations.

2 Package



Camera



Quick start guide



CD



Drill Template



4 tapping screws
1 machine screw



Plastic plug × 4

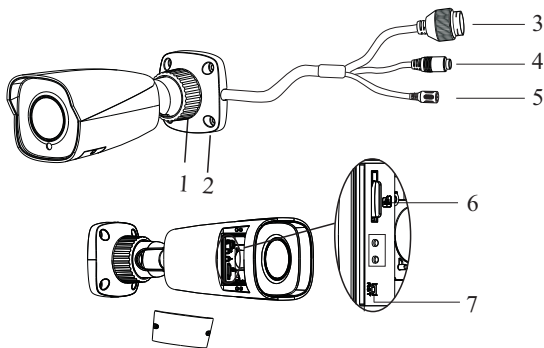


Rubber plug

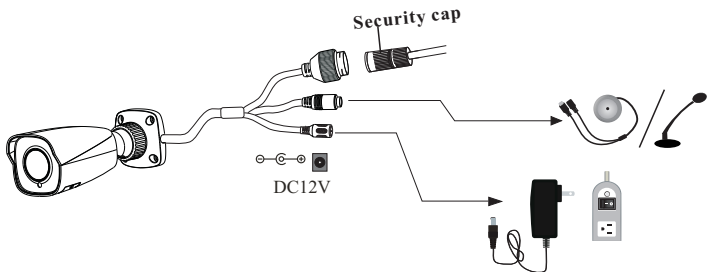


Junction box

3 Overview



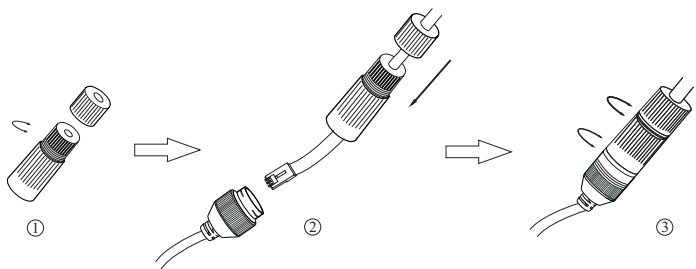
1	Fixed ring	5	DC power connector
2	Mounting base	6	Micro SD card slot
3	Ethernet connector	7	Reset
4	Audio input		



*** 1 It is recommended to install the security cap for outdoor installations.**

*** 2 DC 12V power supply is not required if a PoE switch or injector is used to power the camera.**

Connecting Network Cable



① Loosen the nut from the main element.

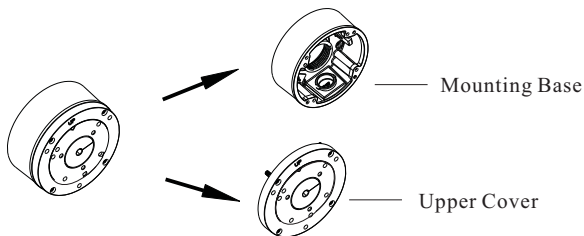
② Run the network cable (without RJ 45 connector) through both elements. Then crimp the cable with RJ 45 connector.

③ Connect the cable to the hermetic connector. Then tighten the nut and the main cover.

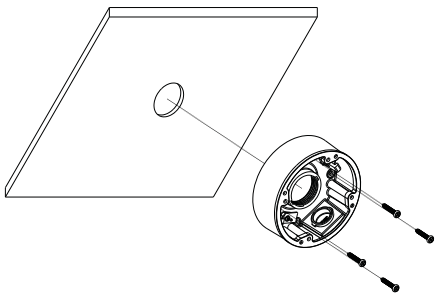
4 Installation

* Before you start, please make sure that the wall or ceiling is strong enough to withstand three times the weight of the camera.

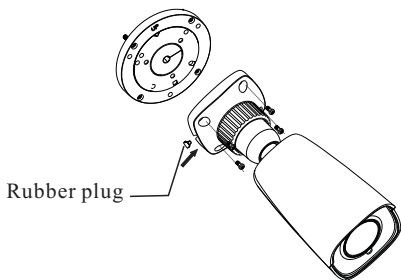
- ① Open the mounting base and the upper cover of the junction box.



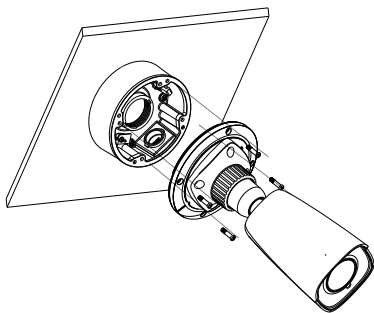
- ② Install junction box onto the wall by using the screws provided.



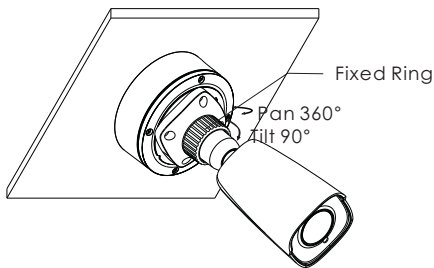
- ③ Mount the rubber plug to the gap of the mounting base and fasten the camera onto the mounting base.



- ④ Connect the cables and then install the camera onto the junction box as shown below.



- ⑤ Bracket Adjustment-Loosen the fixed ring to adjust the view angle of the camera. After you get the optimum angle of view, tighten the fixed ring to complete the installation.



5 Web Operation and Login

IP Scanner can search for the device on the local network.

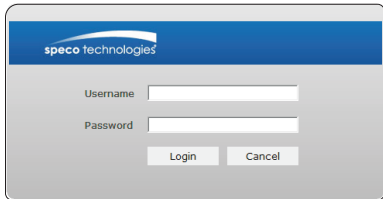
● Operation

- ① Make sure that the camera and the PC are connected to the same local network. The camera is set to DHCP by default.
- ② Install IP Scanner from the CD and run it after installation.

The screenshot shows the 'SecureGuard IP Scanner' application window. The title bar includes standard window controls. The interface features a toolbar with icons for Refresh, Open Web Page, Login..., IP (with a dropdown arrow), Restart, Factory Default, Information, and About. Below the toolbar is a table displaying the status of discovered devices.

Status	Model Name	Name	IP Address	MAC Address	Wireless IP Address	Zero Config IP
Online		O2VB1V	192.168.17.251	00:18:CE:24:68:9A	n/a	n/a

- ③ In the device list, you can view the IP address, model number, and MAC address of each device. Select the applicable device and double click to open up the web viewer. You can also manually enter the IP address in the address bar of the web browser.

The image shows a login window for Speco Technologies. At the top, there is a blue header with the 'speco technologies' logo. Below the header, the window has a light gray background. It contains two input fields: 'Username' and 'Password'. Below these fields are two buttons: 'Login' and 'Cancel'.

The login interface is shown above. Default user name is admin and password is 1234. After logging in, follow directions to install applicable plugins.