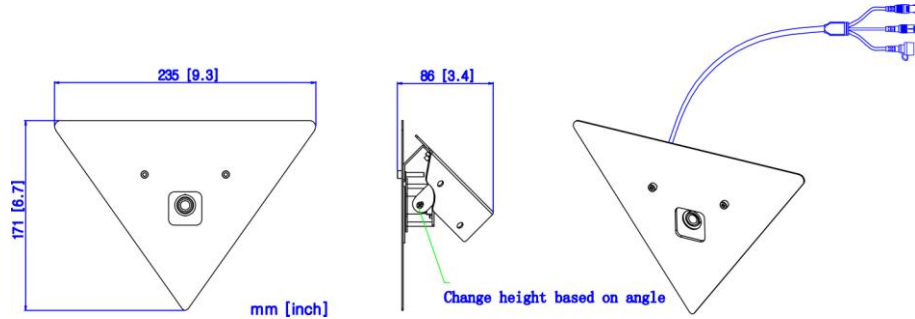


HD-TVI Corner Mount Camera

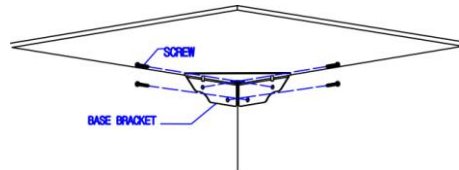
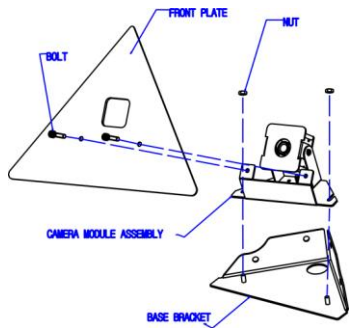
● ITEM No: CVC605CMT1



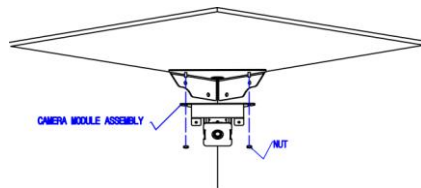
● Installation

1. Loosen the bolt and separate from plate.
Loosen the nut and separate camera module and base bracket.

2. Fix the base bracket to corner.

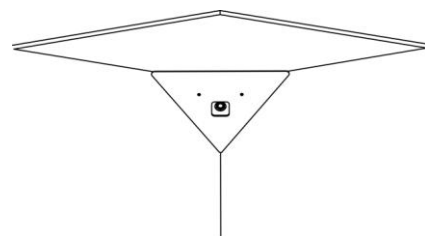
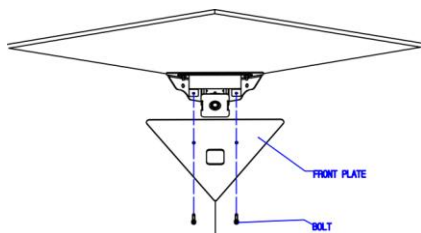


3. Use nut screw to fixate camera module on base bracket.



5. Finish install.

4. Use bolt screw to fixate front plate.



● Packing

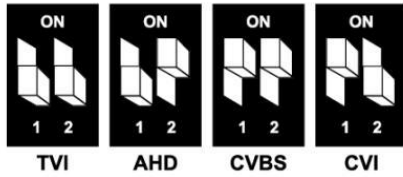
- | | |
|---------------------------|----|
| 1. Camera | X1 |
| 2. User Manual | X1 |
| 3. Screw | X4 |
| 4. Plastic-Conical-Anchor | X4 |
| 5. Hexagonal Wrench | X1 |

● Specification

ITEM	CVC605CMT1
IP Rating	IP55
Type	Color
Signal System	NTSC/PAL
Pick Up Device	1/2.9" 2.2 Mega Pixels CMOS
Picture Elements	1920(H)X1080(V)
Min Illumination	0.001 LUX
S/N Ratio	≥52dB
Lens	3.6mm Fixed Board Lens
3D/2D	ON
SENS-UP	ON
IR SMART	ON
White Balance	ATW
Back Light Compensation	OFF
DWDR	ON/OFF
OSD	With UTC Signal(DVR Control OSD)
Video Out-put	HD-TVI/HD-AHD/HD-CVI/CVBS
Power Supply	DC12V ±10%
Current Consumption	70mA(MAX)
Dimension	235x171mm (9.3"x6.7")
Weight	850g (30oz)
Storage Temperature	-30~+60°C (-22~+140°F)
Operating Temperature	-30~+45°C (-22~+113°F)

Remark: Non-regulative adaptor may cause camera damaged

● video signal output switches



OSD Menu

MAIN MENU

MAIN MENU	
1. LENS	MANUAL
2. EXPOSURE	↓
3. BACKLIGHT	OFF
4. WHITE BAL	ATW
5. DAY&NIGHT	EXT ↓
6. NR	↓
7. SPECIAL	↓
8. ADJUST	↓
9. EXIT	SAVE&END ↓

1 LENS	MANUAL/DC#
2 EXPOSURE	#
3 BACKLIGHT	OFF/BLC#/HSBLC#
4 WHITE BAL	ATW/AWB/AWC-SET/INDOOR/OUTDOOR/ MANUAL#
5 DAY&NIGHT	AUTO#/COLOR/B/W#/EXT#
6 NR	#
7 SPECIAL	#
8 ADJUST	#
9 EXIT	SAVE&END#/RESET#/NOT SAVE#

LENS

DC LENS MODE	
1. MODE	INDOOR
2. IRIS SPEED	8
3. RETURN	RET ↓

1 MODE	INDOOR/OUTDOOR#
2 IRIS SPEED	0-15
3 RETURN	RET#

EXPOSURE

EXPOSURE	
1. SHUTTER	AUTO
2. AGC	7
3. SENS-UP	AUTO ↓
4. BRIGHTNESS	56
5. D-WDR	OFF
6. DEFOG	OFF
7. RETURN	RET ↓

1 SHUTTER	AUTO/ 1/30 / 1/60 / FLK / 1/240 / 1/480 / 1/1000 / 1/2000 / 1/5000 / 1/10000 / 1/50000 / X2 / X4 / X6 / X8 / X10 / X15 / X20 / X25 / X30
2 AGC	0-15
3 SENS-UP	AUTO#
4 BRIGHTNESS	1-100
5 D-WDR	OFF/AUTO/ON#
6 DEFOG	OFF/AUTO#
7 RETURN	RET#

DEFOG

1. POS/SIZE	↓
2. GRADATION	0
3. DEFAULT	↓
4. RETURN	RET ↓

1 POS/SIZE	POSITION/SIZE/RET AGAIN
2 GRADATION	0-2
3 DEFAULT	#
4 RETURN	RET#

BACKLIGHT

BLC	
1. LEVEL	MIDDLE
2. AREA	↓
3. DEFAULT	↓
4. RETURN	RET ↓

1 LEVEL	MIDDLE/LOW/HIGH
2 AREA	POSITION/SIZE/RET AGAIN
3 DEFAULT	#
4 RETURN	RET#

DAY&NIGHT

B/W	
1. BURST	OFF
2. IR SMART	OFF
3. RETURN	RET ↓

1 BURST	OFF/ON
2 IR SMART	OFF/ON#
3 RETURN	RET#

D&N AUTO	
1. D--N (AGC)	18
2. D--N (DELAY)	58
3. N--D (AGC)	6
4. N--D (DELAY)	45
5. RETURN	RET ↓

1 D--N(AGC)	1-255
2 D--N(DELAY)	0-60
3 N--D(AGC)	1-255
4 N--D(DELAY)	0-60
5 RETURN	RET#

NR

NR	
1. 2DNR	MIDDLE
2. 3DNR	MIDDLE
3. RETURN	RET ↓

1 2DNR	HIGH/MIDDLE/LOW/OFF
2 3DNR	HIGH/MIDDLE/LOW/OFF
3 RETURN	RET#

SPECIAL

SPECIAL	
1. CAM TITLE	ON ↓
2. D-EFFECT	↓
3. MOTION	OFF
4. PRIVACY	OFF
5. LANGUAGE	ENG ↓
6. DEFECT	↓
7. RS485	↓
8. RETURN	RET ↓

1 CAM TITLE	OFF/ON#
2 D-EFFECT	FREEZE/MIRROR/NEG.IMAGE/RETURN
3 MOTION	OFF/ON#
4 PRIVACY	OFF/ON#
5 LANGUAGE	ENG#/CHN1#/CHN2#/GER#/FRA#/ITA#/ SPA#/POL#/RUS#/POR#/NED#/TUR#
6 DEFECT	#
7 RS485	#
8 RETURN	RET#

D-EFFECT

1. FREEZE	ON
2. MIRROR	OFF
3. NEG. IMAGE	OFF
4. RETURN	RET ↓

1 FREEZE	OFF/ON
2 MIRROR	OFF/MIRROR/V-FLIP/ROTATE
3 NEG. IMAGE	OFF/ON
4 RETURN	RET#

DEFECT

1. LIVE DPC	ON ↓
2. WHITE DPC	ON ↓
3. BLACK DPC	ON ↓
4. RETURN	RET ↓

1 LIVE DPC	OFF/ON
2 WHITE DPC	OFF/MIRROR/V-FLIP/ROTATE
3 BLACK DPC	OFF/ON
4 RETURN	RET#

ADJUST

ADJUST	
1. SHARPNESS	AUTO ↓
2. MONITOR	LCD ↓
3. LSC	ON
4. VIDEO OUT	PAL
5. RETURN	RET ↓

1 SHARPNESS	OFF/AUTO#
2 MONITOR	LCD#/CRT#
3 LSC	OFF/ON
4 VIDEO OUT	NISC/PAL
5 RETURN	RET#

EXIT

EXIT	
1. EXIT	RESET ↓

1 EXIT	SAVE&END#/RESET#/NOT SAVE#
--------	----------------------------