

Installation Guide

CVCJBD / CVCJBDW

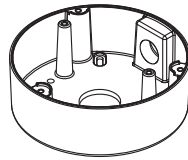
speco technologies®

200 New Highway, Amityville NY 11701
800.645.5516 / www.specotech.com

Dome Junction Box

Compatible Models

- HT7246iHR, HT7247iHR, HT7250iHR
- HT7248FFi



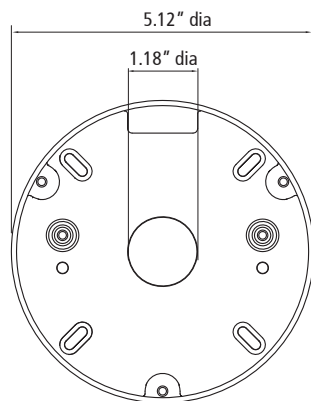
Package Contents

The following items are included in this package.

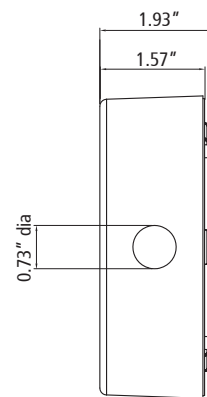
- CVCJBD / CVCJBDW
- 1 Base Sponge Gasket
- 4 Tapping Screws 4 x 25
- 3 Machine Screws M4 x 15, PH
- 2 Machine Screws M4 x 15(Washer Based)

Dimensions

Front View



Side View



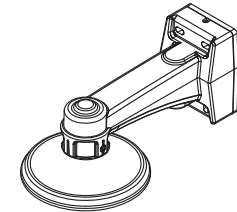
Optional Accessories

INTPM



Pendant Mount

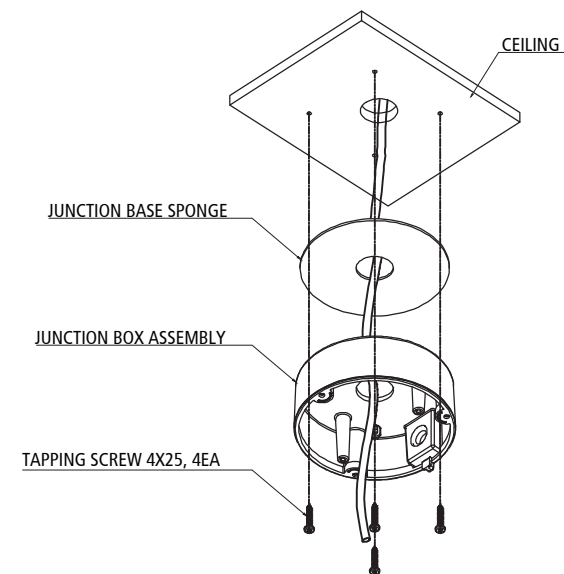
INTWM



Wall Mount

Installation Instruction Diagram

1-1. Install junction box onto the ceiling by using the screws provided.

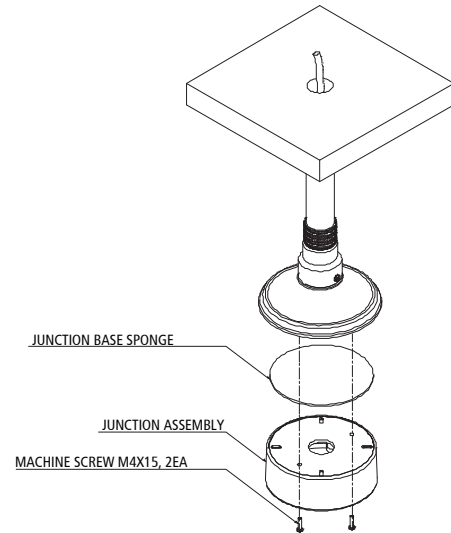


Installation Guide

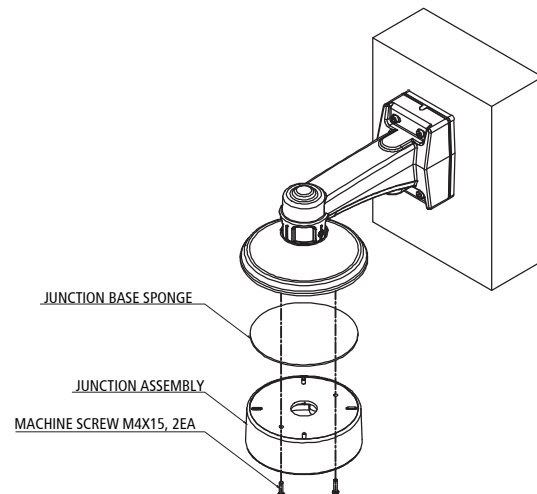
CVCJBD / CVCJBDW

Installation Instruction Diagram

- 1-2. Install INTPM onto ceiling.
- 1-3. Install junction box onto INTPM as shown in the image below.



- 1-4. Install INTWM onto wall.
- 1-5. Install junction box onto INTWM as shown in the image below.



Installation Instruction Diagram

2. Arrange each piece as shown in the image below.
3. Fasten the camera onto the junction box.

