

A vertical decorative bar on the left side of the page, consisting of a black section on the far left and a gold section immediately to its right.

SIGNAMAXTM

Quick Start Guide

I-100 Series Switches

Warnings and Cautionary Messages



Warning: This product does not contain any serviceable user parts.

Warning: Installation and removal of the unit must be carried out by qualified personnel only.

Warning: When connecting this device to a power outlet, connect the field ground lead on the tri-pole power plug to a valid earth ground line to prevent electrical hazards.

Warning: This switch uses lasers to transmit signals over fiber optic cable. The lasers are compliant with the requirements of a Class 1 Laser Product and are inherently eye safe in normal operation. However, you should never look directly at a transmit port when it is powered on.

Warning: When selecting a fiber SFP device, considering safety, please make sure that it can function at a temperature that is not less than the recommended maximum operational temperature of the product. You must also use an approved Laser Class 1 SFP transceiver.



Caution: Wear an anti-static wrist strap or take other suitable measures to prevent electrostatic discharge when handling this equipment.

Caution: Do not plug a phone jack connector in the RJ-45 port. This may damage this device.

Caution: Use only twisted-pair cables with RJ-45 connectors that conform to FCC standards.

Part Number	RJ-45 Ports	PoE Ports	SFP Ports
SI10011	8 Gigabit	8	2
SI10021	8 Gigabit	N/A	2
SI10031	4 Gigabit	4	2
SI10041	4 Gigabit	N/A	2
SI10050	6 10/100	4	N/A



DIN-Rail Mounting Kit - one bracket and two screws.



Documentation—Quick Start Guide (this document) and Warranty Card

Note: Additional documentation can be obtained from www.signamax.com

Mount the Switch



1. Screw the DIN-Rail bracket to the switch.



2. Insert the top of the DIN-Rail bracket to the DIN-Rail track.



3. Pull down the DIN-Rail bracket to the DIN-Rail track and check if it is mounted tightly on the DIN-Rail track.

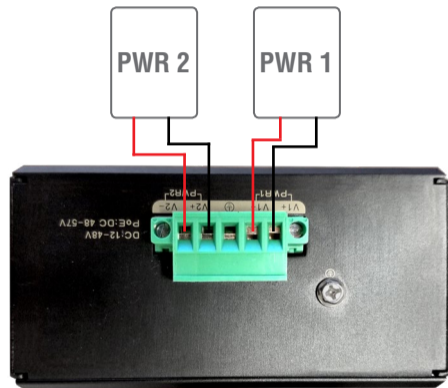
Ground the Switch

1. This equipment must be grounded. Never defeat the ground conductor or operate the equipment in the absence of a suitably installed ground conductor. Contact the appropriate electrical inspection authority or an electrician if you are uncertain that suitable grounding is available.
2. Attach a lug (not provided) to a #12 AWG (PoE switch) or #18 AWG (non-PoE switch) minimum grounding wire (not provided), and connect it to the grounding point on the switch rear panel. Then connect the other end of the wire to ground.

⚠ Caution: The earth connection must not be removed unless all supply connections have been disconnected.

Note: The device must be installed in a restricted access location. It should have a separate protective earthing terminal on the chassis that must be permanently connected to earth to adequately ground the chassis and protect the operator from electrical hazards.

Connect Power



1. Insert the positive and negative wires into the PWR1 (+,-) and PWR2 (+,-) on the terminal block connector.
2. Tighten the screws to prevent the wires from loosening.

Verify Switch Operation

1. Verify basic switch operation by checking the system LEDs. When operating normally, the Power LED should be on and green.

Connect Network Cables

1. For RJ-45 ports, connect 100-ohm Category 5, 5e or better twisted-pair cable
2. For the SFP slots, first install SFP transceivers and then connect fiber optic cabling to the transceiver ports. The following transceivers are supported:
 - 1000BASE-SX (065-79SXMG)
 - 1000BASE-LX (065-79LXMG)
 - 1000BASE-ZX (065-79ZXMG)
 - 1000BASE-LHX (065-79LXEDMG)
3. As connections are made, check the port status LEDs to be sure the links are valid. See the LED description table on the next page.



LED	Status	Description
PWR	ON	Switch operating normally.
	OFF	No DC power is connected or the switch has failed.
LINK	ON	Port has a valid link
	BLINKING	Port has network activity
	OFF	The link is down
PoE	ON	A PoE device is connected and delivered PoE power
	BLINKING	PoE Error: short circuit or current overload
	OFF	Doesn't deliver PoE power
MODE	ON	Port has a valid 1000 Mbps link
	OFF	Port has a valid 10/100 Mbps link

SIGNAMAX[™]

999 NW 159th Dr, Miami, FL 33169
800.446.2377 / 305.944.7710

CONNECT WITH US



www.signamax.com