



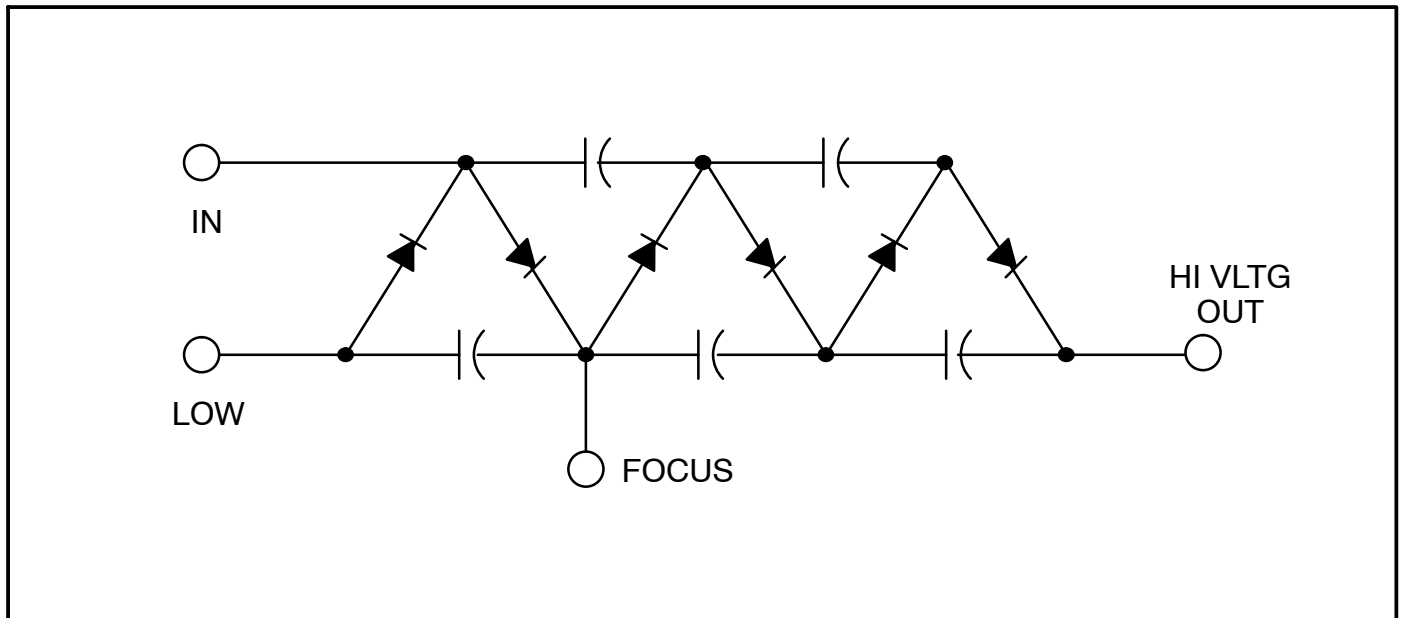
ELECTRONICS, INC.
44 FARRAND STREET
BLOOMFIELD, NJ 07003
(973) 748-5089
<http://www.nteinc.com>

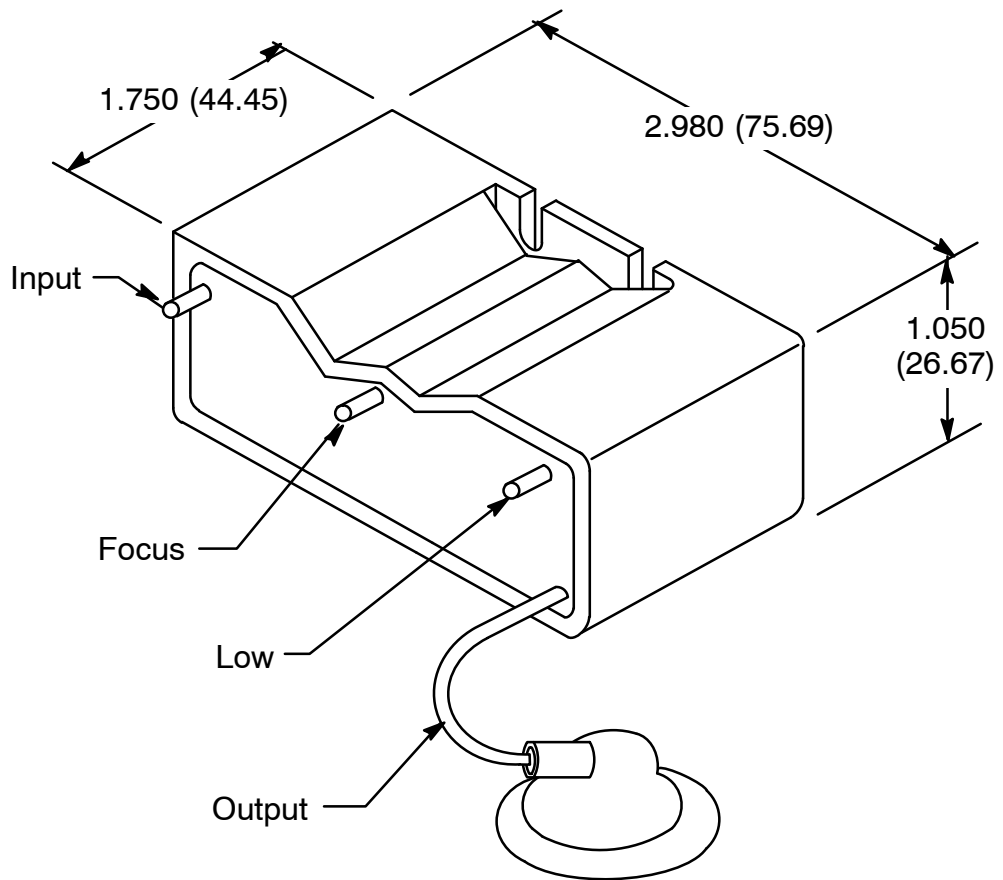
NTE539 High Voltage Multiplier 5-Step Silicon Tripler ^w/Damper Diode and Focus Tap

Electrical Characteristics:

Input, Peak-to-Peak (No Load)	12kV
Maximum Continuous Output (at 2mA, No Load)	30kV
Output Lead Length	20 inches

Schematic:





Mounting Slots
.176 (4.46) Wide
.840 (21.33) \varnothing to \varnothing